

**Flex Conductors Stand  
with Polycarbonate Desk**



**Flex Conductors Stand  
with High-Pressure Laminate Desk**

### Contents

Important User Information . . . . .	2	Operation . . . . .	7
Safety Precautions . . . . .	2	To Set the Desk Height . . . . .	7
Required Tools . . . . .	3	To Tilt the Desk . . . . .	7
Parts List . . . . .	3	To Rotate the Desk . . . . .	8
Assembly . . . . .	4	To Move the Stand . . . . .	8
Base Assembly . . . . .	4	Maintenance . . . . .	8
Attach Desk . . . . .	5		
Attach Desk Lip . . . . .	6		



Visit the Flex Conductor's Equipment web page at [wengercorp.com](http://wengercorp.com) for more information.

**Note:** Please read and understand these instructions before proceeding.  
**Note:** If you need additional information, contact Wenger Corporation using the information below.

# Important User Information

---

## General

Copyright © 2024 by Wenger Corporation

All rights reserved. No part of the contents of this manual may be reproduced, copied, or transmitted in any form or by any means including graphic, electronic, or mechanical methods or photocopying, recording, or information storage and retrieval systems without the written permission of the publisher, unless it is for the purchaser's personal use.

Printed and bound in the United States of America.

The information in this manual is subject to change without notice and does not represent a commitment on the part of Wenger Corporation. Wenger Corporation does not assume any responsibility for any errors that may appear in these instructions.

In no event will Wenger Corporation be liable for technical or editorial omissions made herein, nor for direct, indirect, special, incidental, or consequential damages resulting from the use or defect of these instructions. The manufacturer reserves the right to change this product at any time.

The information in this document is not intended to cover all possible conditions and situations that might occur. The end user must exercise caution and common sense when assembling or installing Wenger Corporation products. If any questions or problems arise, call the Wenger Corporation at (800) 4WENGER (493-6437) or +1-507-455-4100 worldwide.

## Manufacturer

The Flex<sup>®</sup> Conductor's Stand is manufactured by:

Wenger Corporation  
555 Park Drive  
Owatonna, MN 55060  
(800) 4WENGER (493-6437) • +1 (507) 455-4100  
wengercorp.com

## Intended Use

- This product is intended for indoor use in normal ambient temperature and humidity conditions – it must not be exposed to outside weather conditions.
- ThisThis product is intended to be assembled, installed and used only as described in these instructions.

## Warranty

Warranty information is available at [wengercorp.com](http://wengercorp.com).

# Safety Precautions

---

Throughout this document you may find cautions and warnings which are defined as follows:

- **WARNING:** Failure to follow the instruction could result in serious injury or damage to property.
- **CAUTION:** Failure to follow the instruction could result in minor injury or damage to property.

Read and understand all of these safety instructions before any assembly, installation or use.

### CAUTION

*Make sure anyone assembling, installing or using this product has read and understands these instructions.*

### CAUTION

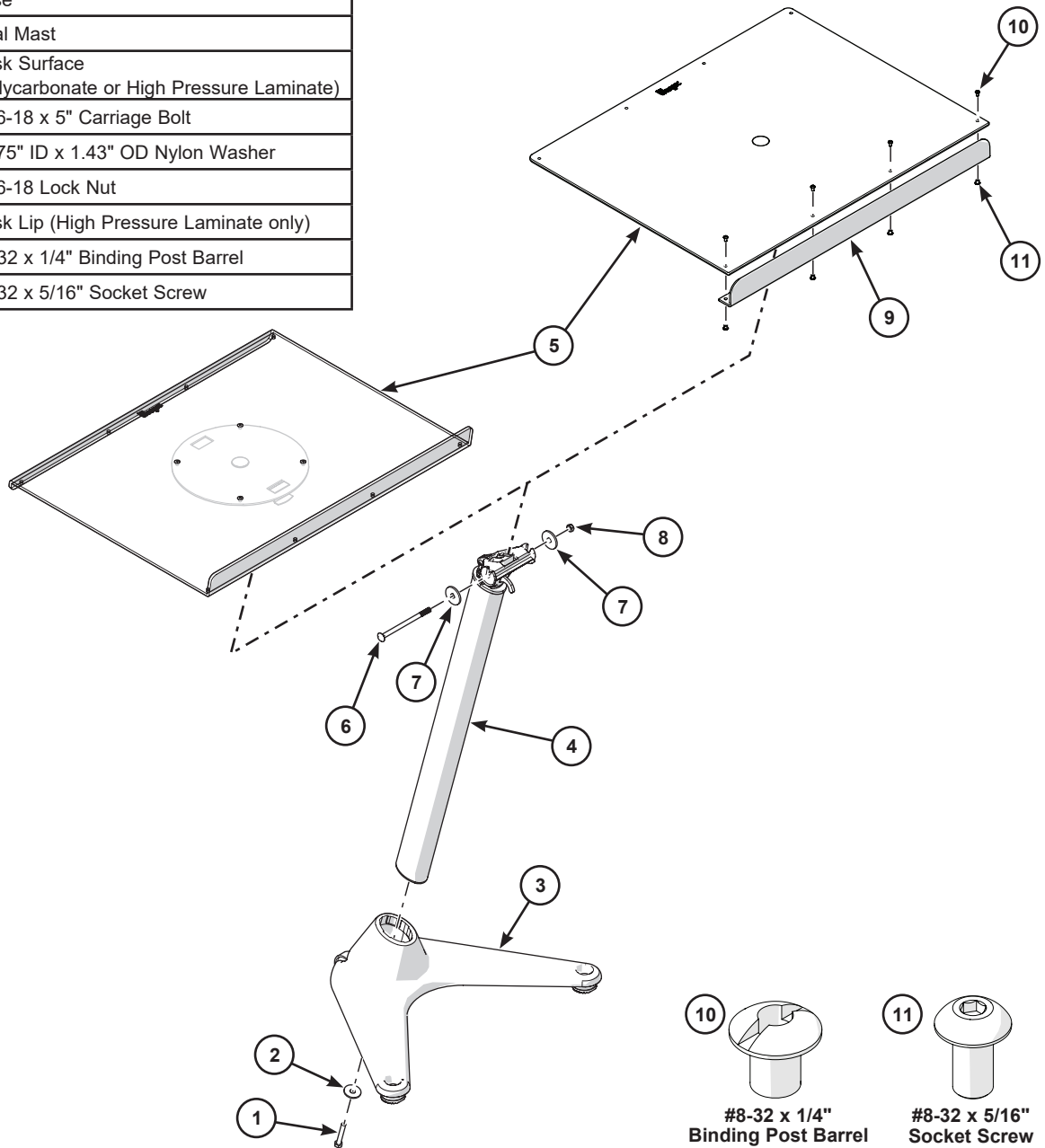
*Failure to comply with Warnings and Cautions in this document or on the equipment can result in damage to property or serious injury.*

## Required Tools

- 1/2" Socket or open/box end wrench
- 3/32" Allen wrench (included)
- Flat head screwdriver  
(for high-pressure laminate desk lip only)

## Parts List

Item	Qty	Description
1	1	5/16-18 x 2" Hex Head Capscrew
2	1	3/8" ID x 1-1/4" OD Washer
3	1	Base
4	1	Oval Mast
5	1	Desk Surface (Polycarbonate or High Pressure Laminate)
6	1	5/16-18 x 5" Carriage Bolt
7	2	0.375" ID x 1.43" OD Nylon Washer
8	1	5/16-18 Lock Nut
9	1	Desk Lip (High Pressure Laminate only)
10	4	#8-32 x 1/4" Binding Post Barrel
11	4	#8-32 x 5/16" Socket Screw



# Assembly

---

## Base Assembly

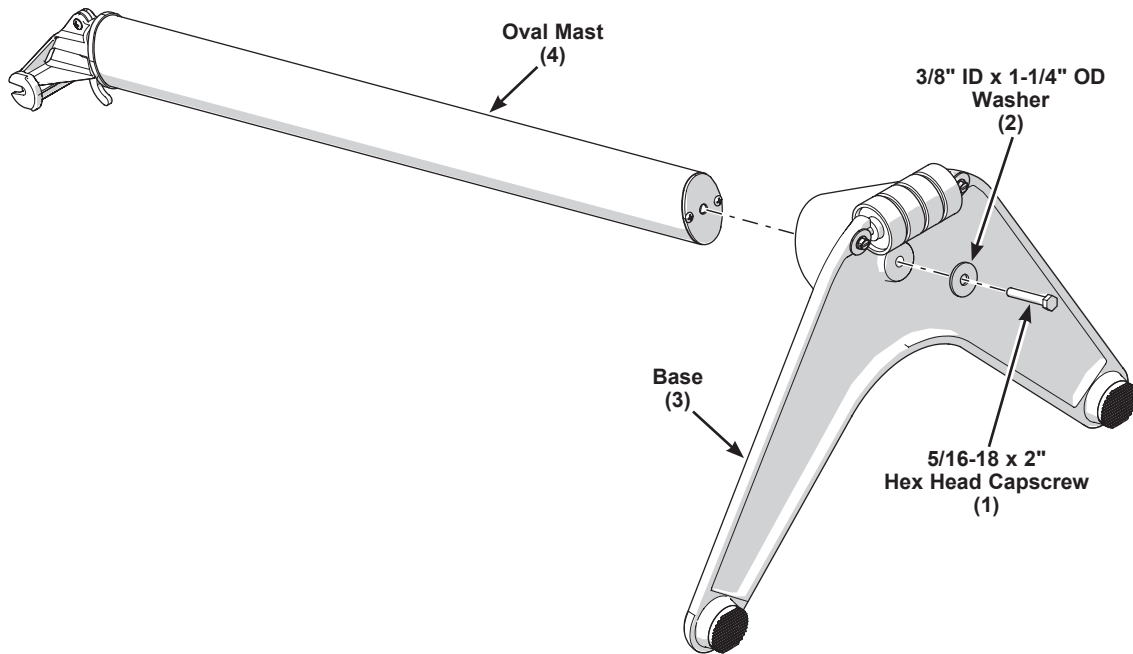
Attach the oval mast to the base:

1. Insert the oval mast (4) into the oval shaped hole at the top of the base (3).  
Push the oval mast until it is flush with the bottom of the base.

### **CAUTION**

**Do not force the oval mast into the base.  
Damage to the components could occur.**

2. Secure the mast to the base with one 5/16-18 x 2" hex head capscrew (1) and 3/8" ID x 1-1/4" OD washer (2).
3. Using a 1/2" socket or open end wrench, tighten the capscrew.  
**To prevent possible thread damage, only tighten to a maximum torque of 240 in-lb (277 kg-cm).**



# Assembly (continued)

## Attach Desk

Attach the desk to the base assembly:

1. Position the desk surface (5) over the neck mounting tube at the top of the base assembly.

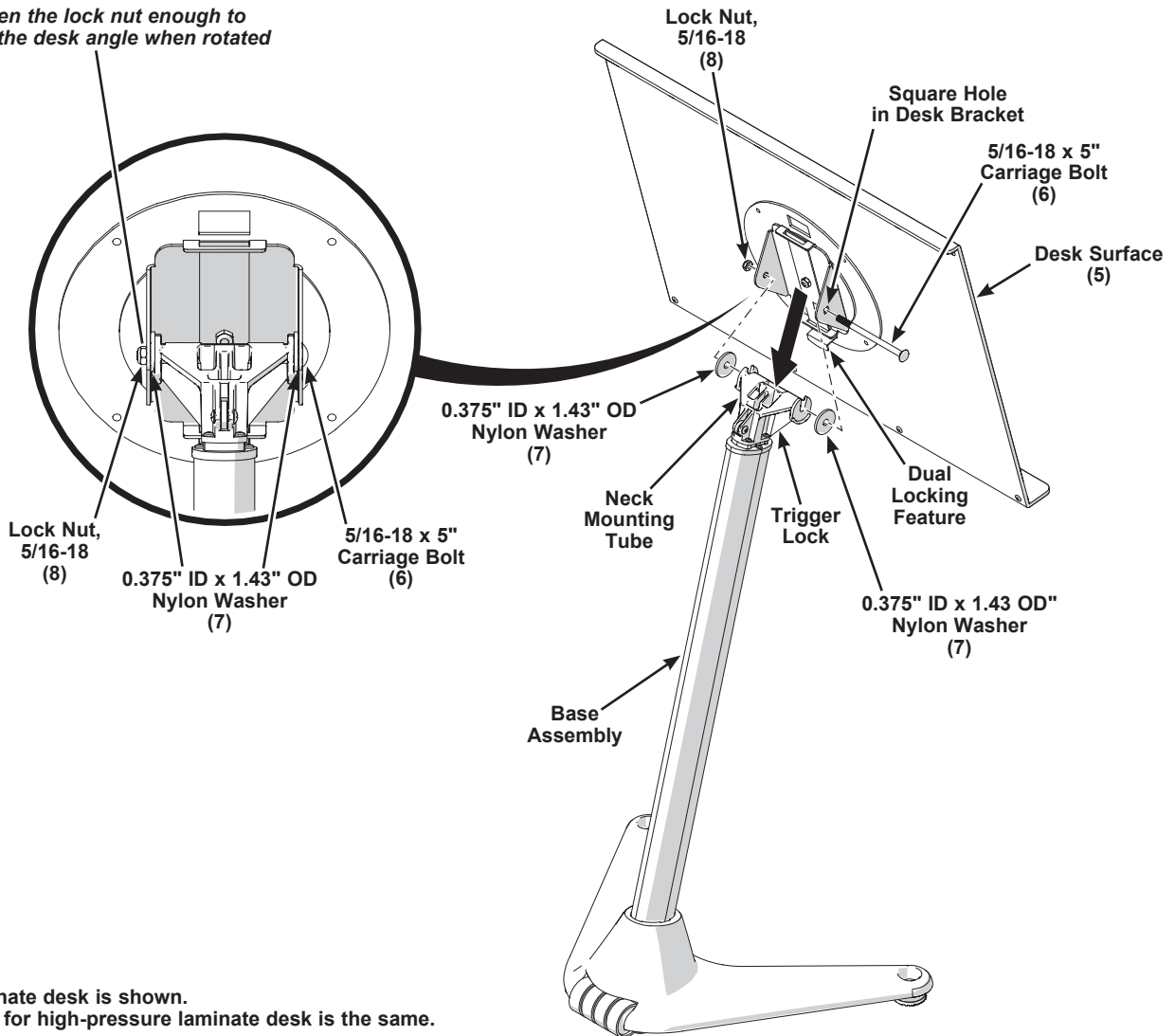
### NOTICE

*The lever for the dual lock position feature should be on the same side as the release trigger.*

2. Slide the 5/16-18 x 5" carriage bolt (6) through the square side hole in the desk bracket, 0.375" ID x 1.43" OD nylon washer (7) and through the neck mounting tube.  
Another 0.375" ID x 1.43" OD nylon washer (7) fits between the neck mounting tube and desk bracket before pushing the carriage bolt through the other side of the desk bracket.
3. Secure the desk to the base assembly using a 5/16-18 lock nut (8) on the 5/16-18 x 5" (6) carriage bolt as shown.

**The lock nut has a nylon locking ring that will tighten onto the carriage bolt as it is turned. Tighten the lock nut enough to hold the desk angle when rotated.**

*Tighten the lock nut enough to hold the desk angle when rotated*



Polycarbonate desk is shown.  
Procedure for high-pressure laminate desk is the same.

## Assembly (continued)

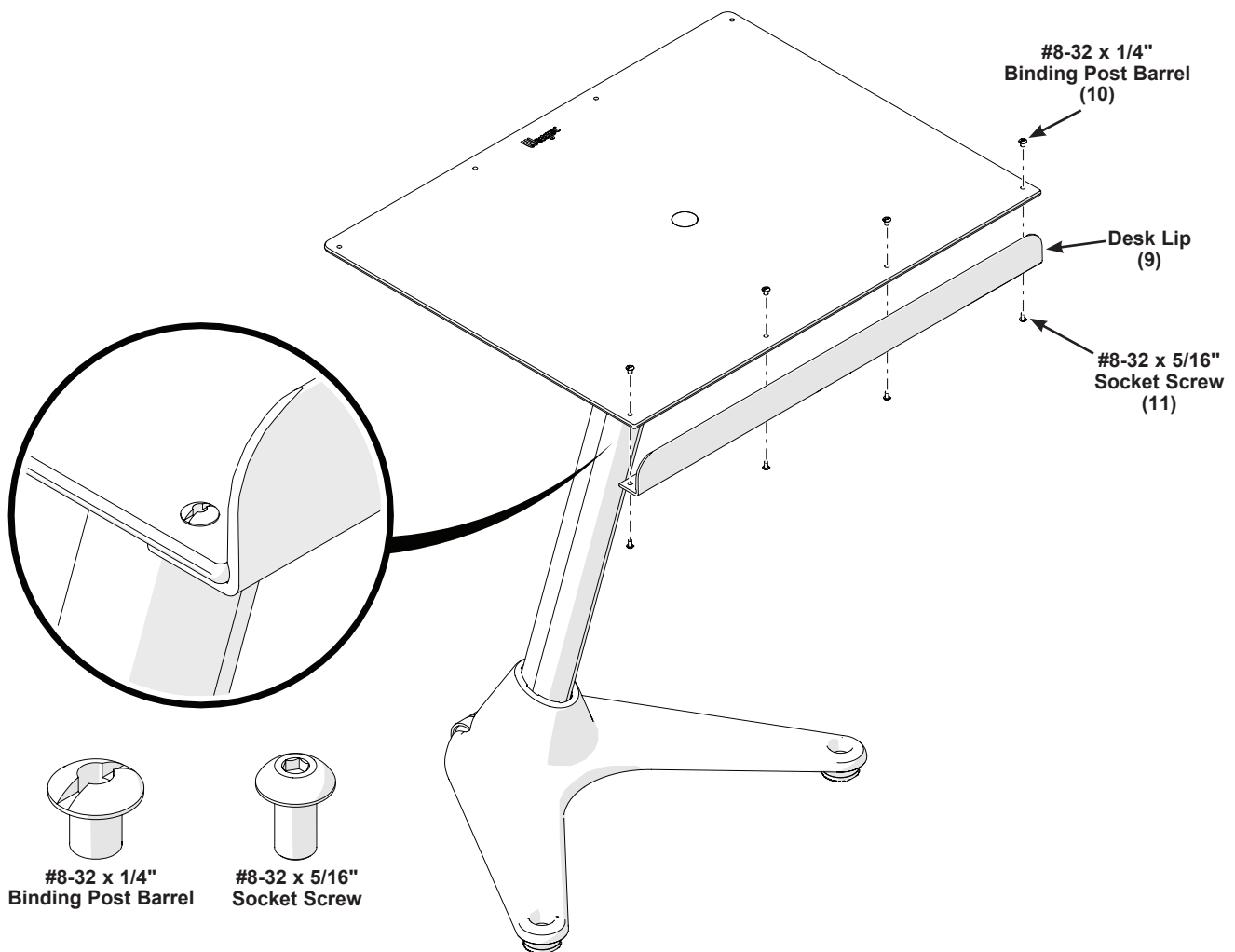
### Attach Desk Lip (High-Pressure Laminate Desk Only)



If attaching the basket accessory, consult those assembly instructions before proceeding.

Attach the desk lip to the desk surface:

1. Fit the desk lip (9) to fit on the underside of the desk surface. Align the holes as shown.
2. Attach the desk lip to the desk surface.
  - a. Insert four #8-32 x 1/4" binding post barrels (10) through the holes in the top of the desk surface and the desk lip.
  - b. Use the included 3/32" allen wrench to secure a #8-32 x 5/16" socket screw (11) to each binding post barrel at the underside of the desk lip.



## Operation

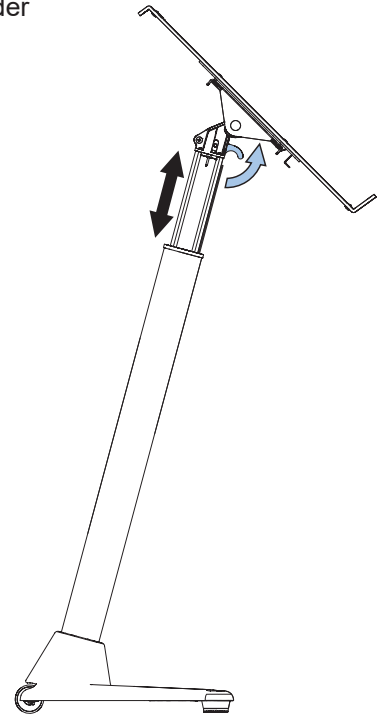
---

### To Set the Desk Height:

1. Disengage the release trigger mechanism by grasping the support neck under the desk and pulling the trigger while supporting the desk.
2. Raise or lower the desk to the desired position and release the trigger.
3. The desk will lock in the nearest locking position.  
Desk height can be set in 2" (51 mm) increments.

### **CAUTION**

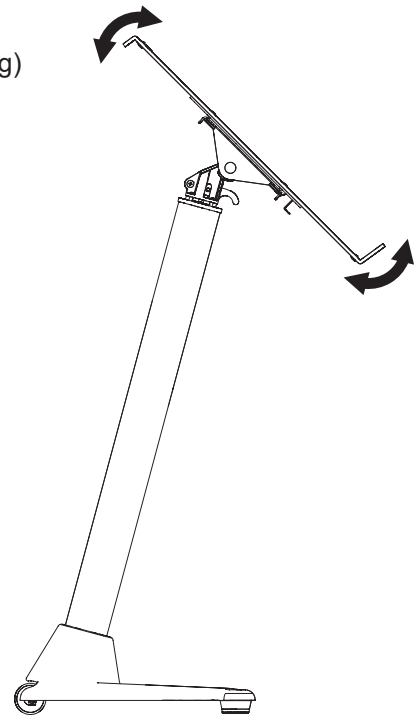
*To prevent the desk from falling while adjusting the height, hold on to the desk when the release lever is disengaged.*



### To Tilt the Desk:

Tilt the desk to the desired angle.

The desk is held in place by friction and should hold approximately 35 lb (16 kg) at any angle without rotating as a result of the load placed on the desk.

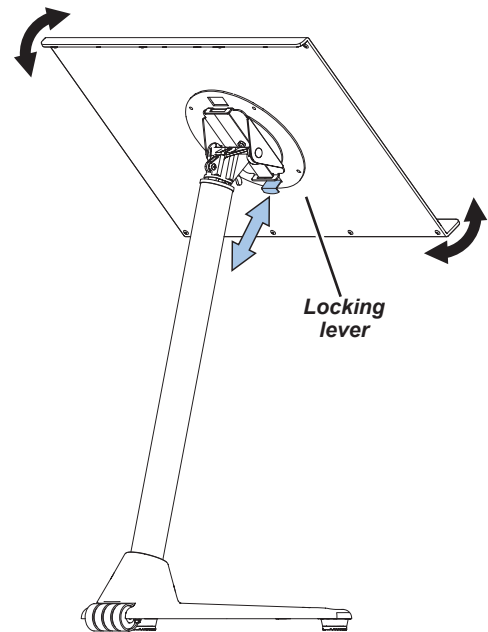


## Operation (continued)

---

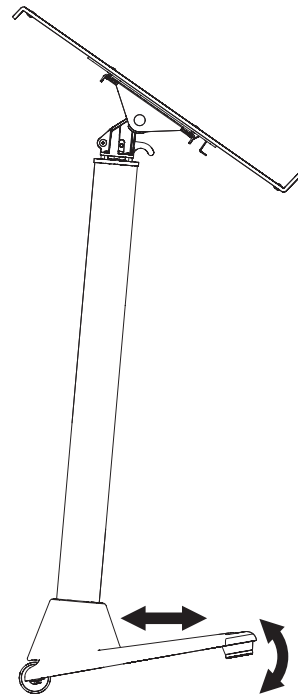
### To Rotate the Desk:

1. The desk has lock positions at the 0° and 180° positions.
2. Press upward on the locking lever under the center of the desk and simultaneously rotate the desk. The desk automatically locks when rotated to the 180° or 0° position.



### To Move the Stand:

1. Tilt the stand towards the wheels at the front of the base.
2. Push or pull stand assembly by grasping the upright mast just under the desk.



## Maintenance

---

1. Clean the Flex conductor's stand with a mild detergent. Avoid using harsh or abrasive cleaning products.
  2. Never apply oil or any lubricant to the height adjustment tube.
  3. Periodically check fasteners to ensure that they have not loosened during use.
-